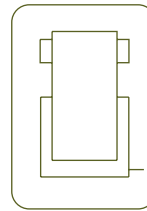


**ALUMINIUM SINGLE ACTING CYLINDERS, LOCK NUT, LOAD RETURN**

- ✓ Capacity from 30 to 200 Tn, stroke up to 300 mm.
- ✓ Load return. Lock nut tested under 50% overload.
- ✓ Made out of high strength aluminium alloy.
- ✓ All aluminium parts are treated to improve resistance and extend working life.
- ✓ Hydraulic end of stroke overflow port. Red band warning.  
Mechanical end of stroke in SATM models.
- ✓ Used for foundation supporting, bridge construction, buildings and shipbuilding.
- ✓ Lightweight. Over 40% weight reduction when compared with steel equivalent.
- ✓ Fitted with steel base plate and saddle for wear resistance.
- ✓ The lock nut holds the load mechanically for long periods of time.
- ✓ Not suitable for high cycle applications.



Performance under Pressure



Larzep designs and manufactures special cylinders and fixing systems. For further information, please contact our Internal Sales department.

ALUM. S/A LOCK NUT CYLINDERS



Type	<b>SAT</b>
Capacity	30 - 200 Tn
Stroke	50 - 300 mm
Max. pressure	700 bar

SAT CYLINDERS

**SATM**  
Aluminium Single Acting Spring Return Cylinders with Lock Nut and Stop Ring



P.42

**STR**  
Single Acting Lock Nut Cylinders



P.32

**DDA**  
Double Acting Aluminium Cylinders



P.64

**AZ04**  
Optional Tilting Saddles available



P.118

**AP2**  
Hoses



P.112

**WA**  
Aluminium Hand Pumps



P.82



**HBM / HBE**  
Powerpack



P.88

**Z12107**  
Air Hydraulic Pump

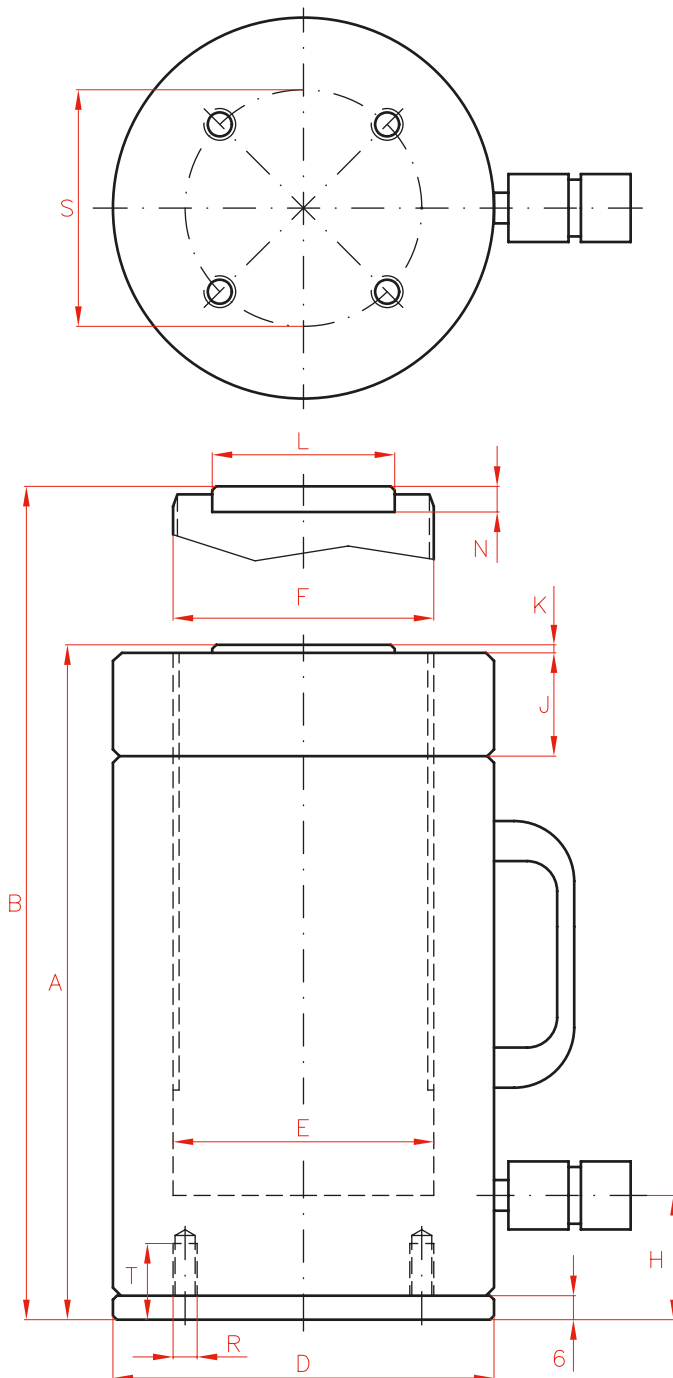


P.86

**WA**  
Aluminium Hand Pumps



P.82



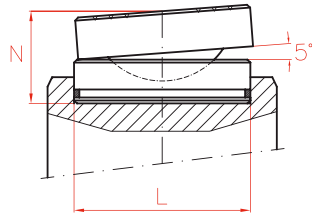
Capacity		Stroke	Model	Oil Cap.	A	B	
Tn	kN	mm	LARZEP	cm <sup>3</sup>	mm	mm	
30	303	50	SAT03005	221	204	254	
		100	SAT03010	442	254	354	
		150	SAT03015	663	304	454	
		200	SAT03020	884	354	554	
		250	SAT03025	1.104	404	654	
		300	SAT03030	1.325	454	754	
50	487	50	SAT05005	354	193	243	
		100	SAT05010	709	243	343	
		150	SAT05015	1.063	293	443	
		200	SAT05020	1.418	353	553	
		250	SAT05025	1.772	403	653	
		300	SAT05030	2.126	453	753	
100	911	50	SAT10005	664	216	266	
		100	SAT10010	1.327	266	366	
		150	SAT10015	1.991	326	476	
		200	SAT10020	2.655	376	576	
		250	SAT10025	3.318	446	696	
		300	SAT10030	3.982	496	796	
140	1.380	50	SAT14005	1.005	234	284	
		100	SAT14010	2.011	284	384	
		150	SAT14015	3.016	345	495	
		200	SAT14020	4.021	395	595	
		250	SAT14025	5.027	465	715	
		300	SAT14030	6.032	515	815	
200	1.946	50	SAT20005	1.418	249	299	
		100	SAT20010	2.835	299	399	
		150	SAT20015	4.253	364	514	
		200	SAT20020	5.671	414	614	
		250	SAT20025	7.088	479	729	
		300	SAT20030	8.506	529	829	



Performance under Pressure

OPTIONAL TILTING SADDLES

Model	L	N	Weight
LARZEP	mm	mm	kg
AZ0401	45	36	0,4
AZ0402	61	39	0,8
AZ0404	88	47	2,2
AZ0405	111	52	4,0



P.118

ALUM. S/A LOCK NUT CYLINDERS



Type

**SAT**

Capacity

**30 - 200 Tn**

Stroke

**50 - 300 mm**

Max. pressure

**700 bar**

SAT CYLINDERS

	D	E	F	H	J	K	L	N	R	S	T	Area	Weight	Model	With tilting saddle	
	mm	mm	mm	mm	mm	mm	mm	mm		mm	mm	cm <sup>2</sup>	kg	LARZEP	A	Model
	105	75	Tr 75x4	24	25	3	45	11	M6	85	19	44	4,4	SAT03005	229	AZ0401
	105	75	Tr 75x4	24	25	3	45	11	M6	85	19	44	5,6	SAT03010	279	AZ0401
	105	75	Tr 75x4	24	25	3	45	11	M6	85	19	44	6,8	SAT03015	329	AZ0401
	105	75	Tr 75x4	24	25	3	45	11	M6	85	19	44	8,0	SAT03020	379	AZ0401
	105	75	Tr 75x4	24	25	3	45	11	M6	85	19	44	9,2	SAT03025	429	AZ0401
	105	75	Tr 75x4	24	25	3	45	11	M6	85	19	44	10,5	SAT03030	479	AZ0401
	135	95	Tr 95x4	26	35	3	61	12	M6	115	19	71	7,9	SAT05005	220	AZ0402
	135	95	Tr 95x4	26	35	3	61	12	M6	115	19	71	9,9	SAT05010	270	AZ0402
	135	95	Tr 95x4	26	35	3	61	12	M6	115	19	71	11,9	SAT05015	320	AZ0402
	135	95	Tr 95x4	26	35	3	61	12	M6	115	19	71	13,9	SAT05020	380	AZ0402
	135	95	Tr 95x4	26	35	3	61	12	M6	115	19	71	15,9	SAT05025	430	AZ0402
	135	95	Tr 95x4	26	35	3	61	12	M6	115	19	71	17,9	SAT05030	480	AZ0402
	180	130	Tr 130x6	32	42	3	88	14	M6	160	19	133	15,6	SAT10005	249	AZ0404
	180	130	Tr 130x6	32	42	3	88	14	M6	160	19	133	19,2	SAT10010	299	AZ0404
	180	130	Tr 130x6	32	42	3	88	14	M6	160	19	133	22,8	SAT10015	359	AZ0404
	180	130	Tr 130x6	32	42	3	88	14	M6	160	19	133	26,4	SAT10020	409	AZ0404
	180	130	Tr 130x6	32	42	3	88	14	M6	160	19	133	29,9	SAT10025	479	AZ0404
	180	130	Tr 130x6	32	42	3	88	14	M6	160	19	133	33,5	SAT10030	529	AZ0404
	225	160	Tr 160x6	43	50	3	88	14	M6	200	19	201	26,0	SAT14005	267	AZ0404
	225	160	Tr 160x6	43	50	3	88	14	M6	200	19	201	31,6	SAT14010	317	AZ0404
	225	160	Tr 160x6	43	50	3	88	14	M6	200	19	201	37,2	SAT14015	378	AZ0404
	225	160	Tr 160x6	43	50	3	88	14	M6	200	19	201	43,1	SAT14020	428	AZ0404
	225	160	Tr 160x6	43	50	3	88	14	M6	200	19	201	48,3	SAT14025	498	AZ0404
	225	160	Tr 160x6	43	50	3	88	14	M6	200	19	201	53,9	SAT14030	548	AZ0404
	265	190	Tr 190x6	43	60	3	111	15	M6	225	19	284	42,9	SAT20005	286	AZ0405
	265	190	Tr 190x6	43	60	3	111	15	M6	225	19	284	50,6	SAT20010	336	AZ0405
	265	190	Tr 190x6	43	60	3	111	15	M6	225	19	284	58,4	SAT20015	401	AZ0405
	265	190	Tr 190x6	43	60	3	111	15	M6	225	19	284	66,1	SAT20020	451	AZ0405
	265	190	Tr 190x6	43	60	3	111	15	M6	225	19	284	73,9	SAT20025	516	AZ0405
	265	190	Tr 190x6	43	60	3	111	15	M6	225	19	284	81,6	SAT20030	566	AZ0405